

DATASHEET



4G Dongle - SA-DGL-4G

NORTH AMERICA ACCESSORIES RESIDENTIAL AND C&I

Smart Connectivity. Instant Visibility.

The Sol-Ark SA-DGL-4G extends real-time system visibility and control to any Sol-Ark hybrid inverter, enabling seamless remote monitoring, configuration, and troubleshooting via MySol-Ark Cloud. Designed for 4G cellular networks, Wi-Fi, and Ethernet connections, it ensures stable data transmission even in low-signal environments, keeping installers and homeowners connected anywhere, anytime.



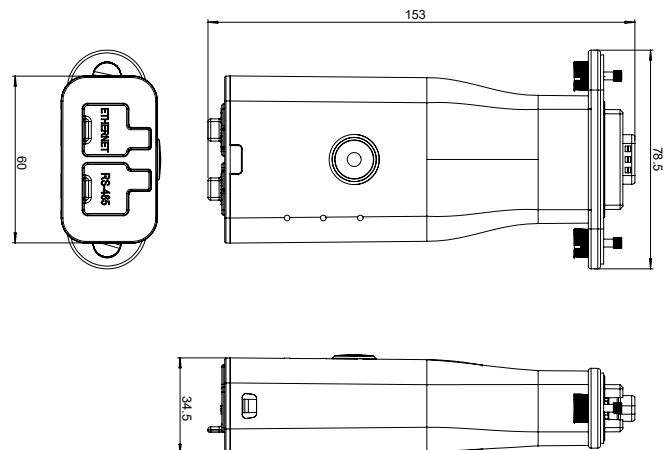
With Sol-Ark SA-DGL-4G you get an intelligent data bridge that connects Sol-Ark hybrid inverters to the MySol-Ark Cloud. Using 4G LTE, Wi-Fi, and Ethernet, it guarantees reliable, low-latency communication even in areas with no Wi-Fi.



CONNECT-PRO is the rugged, installer-grade hardware built for dependable 4G communication. With its IP66 outdoor protection, reinforced connectors, and compact design, it delivers simple, durable, and reliable performance in any environment.



Key specifications	SA-DGL-4G
Supported Networks	LTE Cat-1 bis (Americas region)
Supported Carriers	AT&T, Verizon, T-Mobile, etc.
Hybrid Systems	12K-2P-LL, 15K-2P-LV, 18K-2P-LV, 30K-3P-208V, 60K-3P-480V
Environmental Rating	IP66 outdoor-rated enclosure (water / dust resistant).
Altitude	Up to 9843 ft (3000 m)
Installation	Plug-and-play installation, auto-recognized by inverter.
Warranty	5-year hardware warranty.



4G Dongle - SA-DGL-4G

NORTH AMERICA ACCESSORIES RESIDENTIAL AND C&I

Model		SA-DGL-4G
Product Description		Compact 4G LTE, Ethernet and Wi-Fi communication dongle providing secure MySol-Ark Cloud connectivity for Sol-Ark hybrid inverters. Designed for remote communications, firmware updates, and system diagnostics.
Connectivity		
Network Type	LTE Cat-1 bis (Americas region)	
Wi-Fi Module	Dual-band Wi-Fi 6, internal antenna	
Connectivity Modes	Ethernet (primary), Wi-Fi (secondary), 4G cellular (backup)	
Supported Carriers	AT&T, Verizon, T-Mobile, etc.	
Coverage Regions	United States, Canada, Mexico, Puerto Rico	
Activation Method	4G features require activation via MySol-Ark Cloud; Wi-Fi connects automatically after commissioning	
Frequency bands supported	B2/B4/B5/B12/B13/B14/B66/B71	
Data Plan Duration	User-activated 5-year included data plan activated through MySol-Ark Cloud	
Included in the Box		
4G Dongle Gateway	4G dongle with 4G LTE, Ethernet, and Wi-Fi capabilities, connects to inverter via DB9 port	
Captive Screws	(2) × M4 × 0.8 captive screws pre-installed on the dongle for secure mounting to inverter chassis	
Installation Guide	Quick start instructions for setup and activation via MySol-Ark Cloud	
Power Requirements		
Supply Voltage	12 V DC, powered directly from the inverter’s DB9 communication port	
Power Consumption	< 2 W typical	
General		
Environmental Rating	NEMA 3R / IP66 outdoor-rated enclosure (dust-tight / water-resistant)	
Chassis Type	UV-resistant polycarbonate housing UL94 V-2	
Indicator LEDs	Tri-color LED indicators: Red, Green, and Blue	
Mounting Type	Plug-in to inverter	
Weight	0.31 lb (142 g)	
Dimensions (W × H × D)	3.09 in × 6.02 in × 1.36 in (78.5 mm × 153 mm × 34.5 mm)	
Operating Temperature	-4 °F to 131 °F (-20 °C to +55 °C)	
Storage Temperature	-40 °F to 185 °F (-40 °C to +85 °C)	
Altitude	Up to 9843 ft (3000 m)	
Interfaces		
Main Connector	DB9 connector (Power & RS-232)	
RJ45 Connector #1	RS-485 / CAN	
RJ45 Connector #2	Ethernet	
Reset Button	IP66-rated external tactile reset button	
Compliance		
Regulatory	FCC (US), IC (Canada), PTCRB Certified	
Network Certification	AT&T IoT Device Certified	
Security Certification	Built on PSA Level 3 and SESIP Assurance Level 3 Hardware	
Supported Systems		
PV / Hybrid Systems	Sol-Ark 12K-2P-LL, 15K-2P-LV, 18K-2P-LV, 30K-3P-208V, 60K-3P-480V	
Monitoring Platform	MySol-Ark Cloud (web and mobile) for data upload, system visibility, and remote firmware updates	
Warranty		
Duration	5-year limited hardware warranty	



4G Dongle - SA-DGL-4G

NORTH AMERICA ACCESSORIES RESIDENTIAL AND C&I

To learn more about Sol-Ark solutions, visit www.sol-ark.com

© 2026 Sol-Ark LLC. All rights reserved.

Sol-Ark, the Sol-Ark logo, and all related marks are trademarks of Sol-Ark LLC in the United States and other countries. Specifications subject to change without notice. Always refer to the latest version of this document at www.sol-ark.com/documentation.

Document ID: PS-00043 Rev 1

Release Date: May 19, 2026

Revision History

Version	Date	Description
Rev 1	05/19/2026	First release